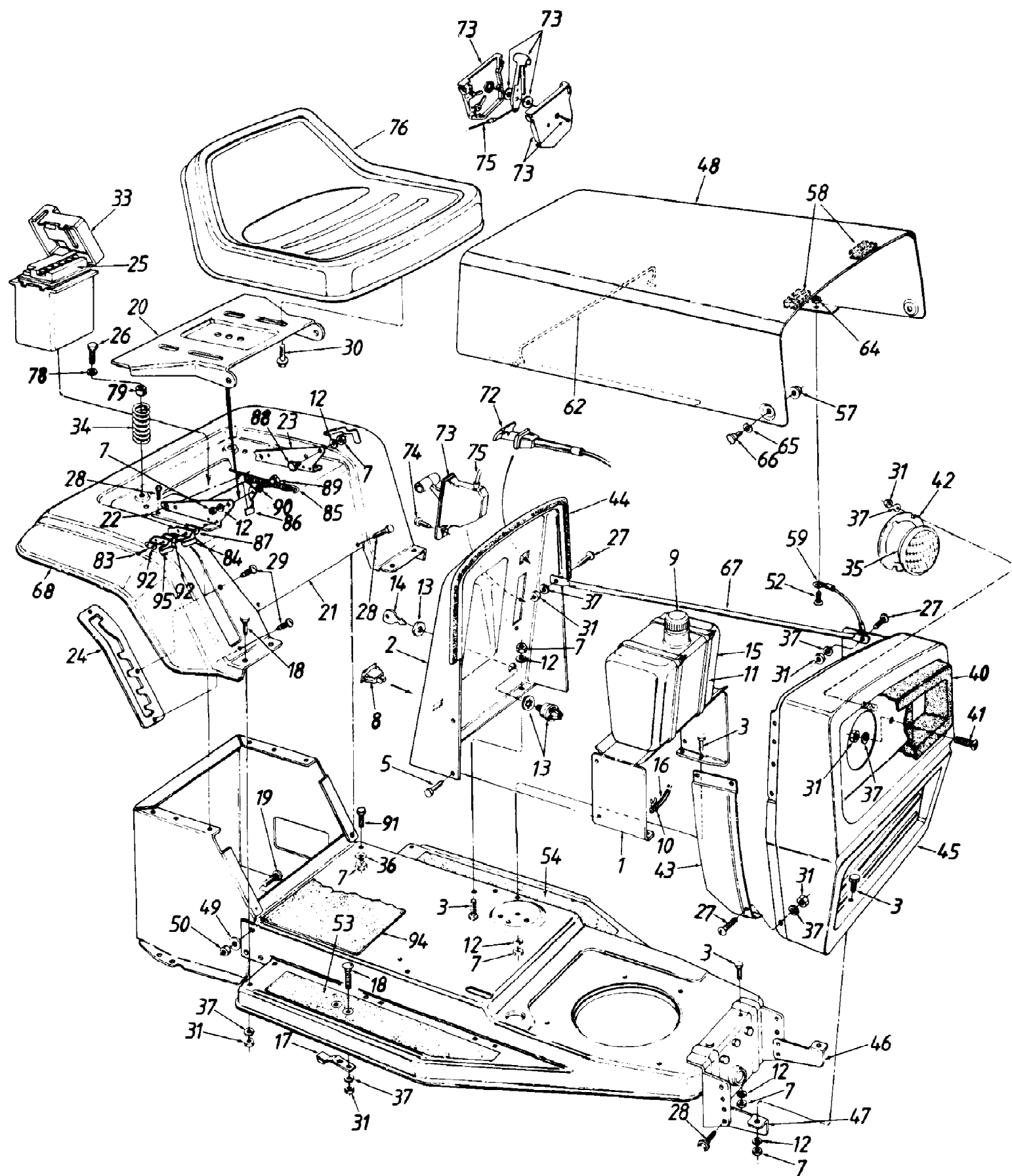


131-317D190 L-8 (1991)
Body Assembly



131-317D190 L-8 (1991)
Body Assembly

Page 2 of 18

Ref #	Part Number	Qty	S/P/F	Description
1	16655A	1		Dash Panel Support Brkt.
2	16656	1		Dash Panel
3	710-0118	1	S	Hex Bolt 5/16-18 x .75" Lg.
5	710-0776A	1	S	Hex AB-Tap Scr. 1/4 x .62"
7	712-0267	1	S	Hex Nut 5/16-18 Thd.
8	725-0634	1	S	Light Switch
9	751-3071	1	S	Gas Cap
10	726-0205	1	/P	Hose Clamp
11	726-0209	1	/P	Cable Tie
12	736-0119	1	S	L-Wash. 5/16" I.D.
13	725-0267	1	S	Ignition Switch
14	725-0201	1	S	Ignition Key
15	751-0553	1	S	Fuel Tank
16	751-0535-15	1	S	Gas Line-15" Lg.
17	761-0169	1	S	Blade Brake Ass'y.
18	710-0134	1	/P	Carriage Bolt 1/4-20 x .62"
19	710-0793	1		Ribbed Neck Bolt 3/8-24 x .8"
20	15607D	1	S	Seat Pivot Brkt.
21	17590	1		483/N Rear Fender
22	17704	1		Seat Hinge Support Brkt.-R.H.
23	17703	1		Seat Hinge Support Brkt.-L.H.
24	17553	1		Deck Lift Index Brkt.
25	725-0514A	1	S	Battery
26	710-0817	1		Hex Self-Tap Screw 5/6-18 x 1.25" Lg.
27	710-0255	1	S	Truss Mach. Scr. 1/4-20 x .75" Lg.
28	710-0726	1	/P	Hex AB-Tap Scr. 5/16 x 75" Lg.
29	710-1017	1	/P	Torx Mach. AB-Tap Scr. 1/4 x .62" Lg.
30	710-0623	1	/P	Hex Self-Tap Scr. 3/8-16 x .75" Lg.
31	712-0287	1	S	Hex Nut 1/4-20 Thd.
33	731-0871A	1	S	Battery 80x w/Cover
34	732-0588	1		Compression Spring
35	725-0222	1	S	Headlight
36	736-0242	1	/P	Bell-Wash. 5/16" I.D.
37	736-0329	1	S	L-Wash. 1/4" I.D.
40	731-0465	1		Bezel
41	710-0346	1		C-Sunk Mach. Scr. 1/4-20 x 1.5n
42	09960	1		Headlight Retainer
43	14748A	1		Side Panel-R.H.
	14749A	1		Side Panel-L.H. (Not Shown)
44	731-0511-31	1		Trim Strip 31" Lg.
45	16277	1		Grille
46	17143A	1		Grille Mtg. Brkt.-L.H.
47	17144A	1		Grille Mtg. Brkt.-R.H.
48	16681	1		Hood
49	736-0217	1	S	L-Wash. 3/8n I.D.-H.D.
50	712-0241	1	/P	Hex L-Nut 3/8-24 Thd.
52	710-0473	1	/P	Truss Mach. Scr. #10-24 x .5" Lg.
53	723-0308B	1		Foot Pad-R.H.
54	723-0309B	1	/P	Foot Pad-L.H.
57	712-0380	1		Lock Nut 1/4-28 Thd.
58	722-0157	1		Foam Strip
59	723-0302	1		Hood Stop
62	732-0414A			

131-317D190 L-8 (1991)
Body Assembly

Page 3 of 18

Ref #	Part Number	Qty	S/P/F	Description
64	712-0272	1	/P	Hex Sems Nut #10-24 Thd.
65	736-0413	1	/P	Spr. Wash. .39" I.D. x .62" O.D.
66	738-0724	1	S	Shld. Bolt
67	749-0722A	1	S	Grille Support
68	731-0511-81	1		Trim Strip 81" Lg.
72	746-0617A	1		Choke Control
73	831-0823A	1	/P	Throttle Control Box
74	710-0779A	1	/P	Truss AB-Tap Scr. #10 x .5"
75	746-0501	1	/P	Throttle Wire
76	757-0345	1	S	Seat Assembly
78	736-0159	1	S	Flat Wash. .344" I.D. x .8811 O.D.
79	722-0160	1		Bushing
83	710-0227	1	/P	Hex Tap Scr. #8 x .51' Lg.
84	725-1439	1		Safety Switch (Seat)
85	732-0581	1	S	Ext. Spring 5.31" Lg.
86	17239A	1	S	Seat Lift Brkt.
87	726-0278	1		Insulator Boss Plate
88	738-0155	1	S	Shld. Bolt .437" Dia. x .162" Lg.
89	738-0296	1	S	Shld. Bolt .437" Dia. x .268" Lg.
90	736-0141	1	S	Spr. Wash. .445" I.D. x .75" O.D.
91	710-0604	1	S	Hex Wash. Hd. Scr. 5/16-18 x .62" Lg.
92	726-0279	1		Insulator Plate
94	723-0310A	1		Foot Pad-Center
95	725-1303	1	S	Safety Switch (Seat)

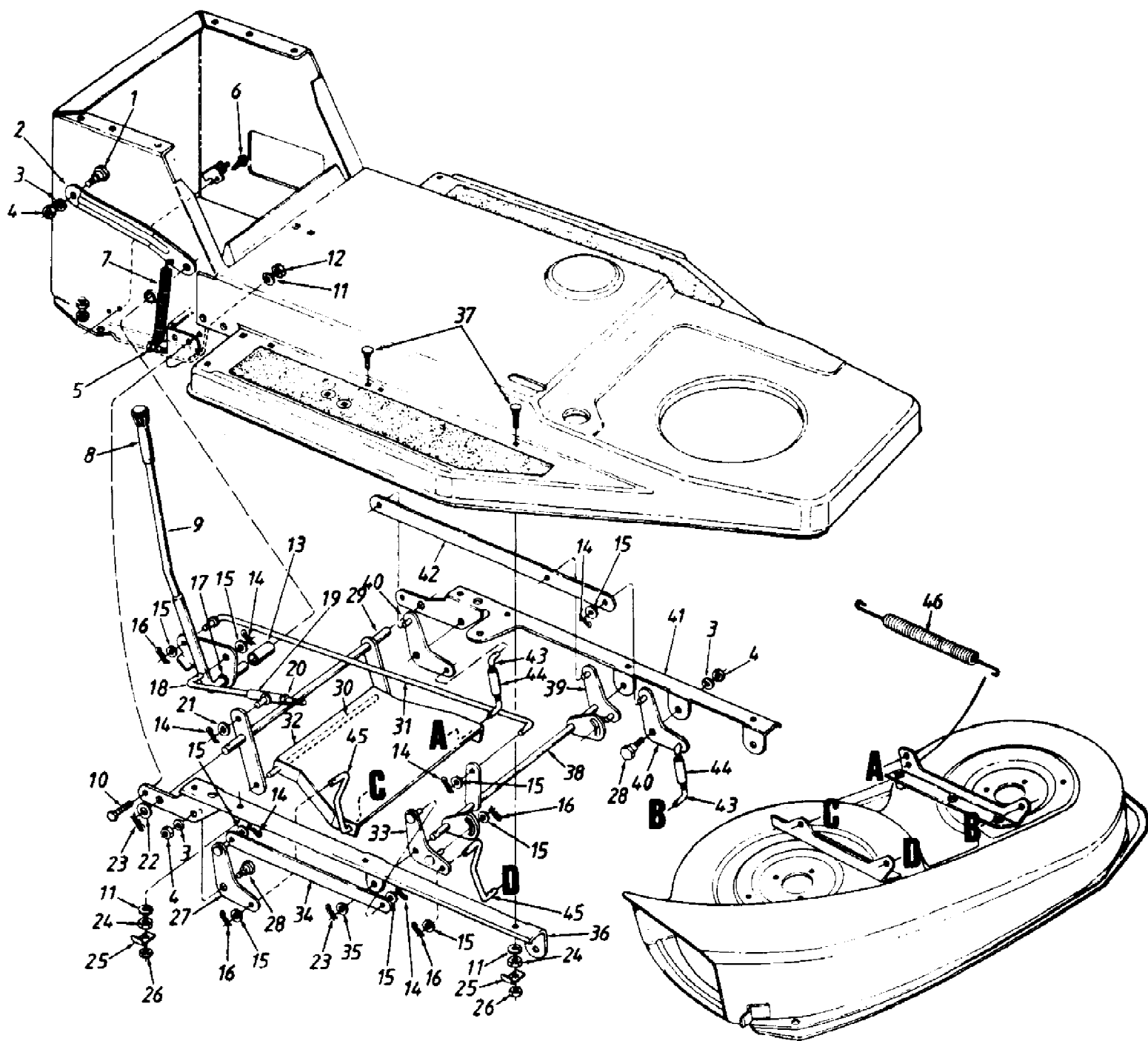
131-317D190 L-8 (1991)
Deck Assembly

Page 5 of 18

Ref #	Part Number	Qty	S/P/F	Description
1	16607	1	S	Belt Guard Deck-L.H.
2	16608A	1	S	Belt Guard Deck-R.H.
4	17750	1	S	32" Deck Ass'y.
	813-03104	1		32" Deck Ass'y. Comp. (Service Only)
5	710-0152	1	S	Hex Bolt 3/8-24 x 1.0n Lg.
6	710-0195	1	S	Hex Bolt 1/4-28 x .62n Lg.
7	710-0157	1	/P	Hex Bolt 5/16-24 x 75n Lg.
8	712-0123	1	/P	Hex Nut 5/16-24 Thd.
9	712-0138	1	S	Hex Nut 1/4-28 Thd.
14	736-0119	1	S	L-Wash. 5/16" I.D.
15	736-0217	1	S	L-Wash. 3/8" I.D. H.D.
16	736-0270	1	/P	Bell-Wash. .265" I.D. x .75
18	742-0487	1		High-Lift Blade
20	748-0300	1		Blade Adapter
21	754-0355	1	S	V-Belt
23	09164A	1	S	Reinforcement Plate
24	09322	1		Brake Disc
25	711-0792	1	S	Hinge Pin
26	732-0602	1	S	Torsion Spring
27	712-0123	1	/P	Hex Nut 5/16-24 Thd.
28	712-0318	1	/P	Hex Jam Nut 5/8-18 Thd.
29	736-0119	1	S	L-Wash. 5/16" I.D.
30	736-0158	1	S	L-Wash. 5/8" I.D.
31	703-1693	1	S	Hinge Mtg. Brkt.
32	726-0106	1	S	Push Nut
33	750-0456	1	S	Spacer
34	756-0486	1		5" Dia. Pulley
36	712-0287	1	S	Hex Nut 1/4-20 Thd.
38	731-1032	1	S	Chute Ass'y. Comp.
45	710-0255	1	S	Truss-Mach. Scr. 1/4-20 x .75" Lg.
49	710-0888	1	/P	Hex Bolt 5/16-24 x 1.0" Lg. (Special)
50	717-0900	1	S	Blade Spindle Complete
51	17692	1		Deck Bracket-R.H.
52	17693	1		Deck Bracket-L.H.

131-317D190 L-8 (1991)
Deck Lift Assembly

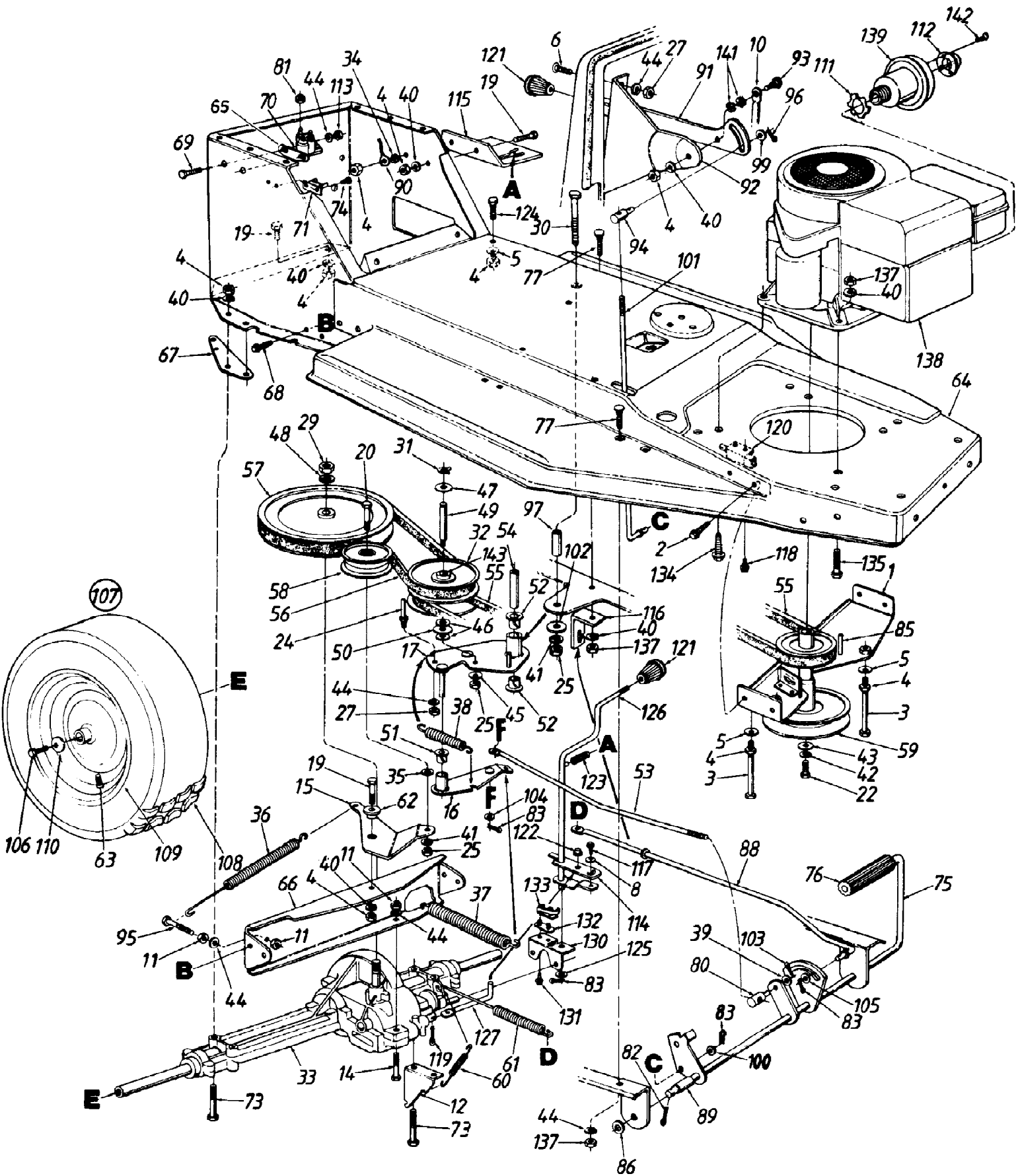
Page 6 of 18



131-317D190 L-8 (1991)
Deck Lift Assembly

Page 7 of 18

Ref #	Part Number	Qty	S/P/F	Description
1	738-0258	1	S	Shld. Bolt .5" Dia. x .25" Lg.
2	17580	1	S	Lift Handle Support Strap
3	736-0169	1	S	L-Wash. 3/8" I.D.
4	712-0798	1	/P	Hex Nut 3/8-16 Thd.
5	710-0428	1		Hex Bolt 1/4-28 x 1.25" Lg.
6	710-0599	1	/P	Hex Wash. Hd. TT-Tap Scr. 1/420 x .5" Lg.
7	732-0640	1		Ext. Spring
8	720-0223	1		Grip
9	17591	1	S	Deck Lift Handle Ass'y.
10	710-0604	1	S	Hex Wash. TT-Tap Scr. 5/16-18 x .62" Lg.
11	736-0119	1	S	L-Wash. 5/16" I.D.
12	712-0267	1	S	Hex Nut 5/16-18 Thd.
13	741-0557	1		Nylon Sleeve Brg.
14	714-0507	1	S	Cot-Pin 3/32" Dia. x .75" Lg.
15	736-0185	1	S	FI-Wash. .406" I.D. x .75" O.D.
16	714-0104	1	S	Internal Cot-Pin 5/16" Dia.
17	741-0495	1	/P	Nyliner Flanged Brg.
18	747-0746	1		Deck Engagement Rod
19	16682	1		Pivot Sleeve Ass'y.
20	712-0130	1	/P	Hex L-Nut 3/8-16 Thd.
21	736-0314	1	S	Thrust Washer .382" I.D.
22	736-0162	1	/P	FI-Wash. .635" I.D. x 1.04" O.D.
23	714-0470	1	S	Cot-Pin 1/8 Dia. x 1.25" Lg.
24	712-0123	1	/P	Hex Nut 5/16-24 Thd.
25	17615	1	S	Harness Retainer
26	712-0237	1	S	Hex Cent. L-Nut 5/16-24 Thd.
27	17555	1	S	Deck Pivot Brkt. Ass'y.-R.H. Rear
28	738-0281	1	S	Shld. Bolt .625" Dia. x .170" Lg.
29	17574	1	S	Deck Link Shaft Ass'y.
30	738-0667	1		Shaft 11.2" Lg.
31	747-0756	1		Deck Lift Rod
32	17689	1		Deck Stabilizer Brkt.
33	17554	1	S	Deck Pivot Brkt. Ass'y.-R.H. Front
34	17563	1	S	Connecting Link-R.H.
35	736-0336	1	S	FI-Wash. 5/8" I.D. x 1.0" O.D.
36	17582	1	S	Pivot Support Brkt.-R.H.
37	710-1012	1	/P	Rib Neck Bolt 5/16-24 x .84" Lg.
38	17568	1	S	Cross Shaft Ass'y.
39	17557	1	S	Deck Pivot Brkt. Ass'y.-L.H.
40	17556	1	S	Deck Pivot Brkt. Ass'y.-L.H.
41	17581	1	S	Pivot Support Brkt.-L.H.
42	17562	1	S	Connecting Link-L.H.
43	747-0584	1	S	Lift Link 3/8-24 x 1.25" Lg.
44	17709	1	S	Adj. Lift Link Ass'y.
45	747-0597	1		Deck Lift Link
46	732-0564	1	S	Deck Spring 10.33" Lg.



131-317D190 L-8 (1991)
Drive Mounting Assembly

Page 9 of 18

Ref #	Part Number	Qty	S/P/F	Description
1	16670	1	S	Engine Pulley Belt Guard Ass'y.
2	710-0776A	1	S	Hex AB-Tap Scr. 1/4 x .62"
3	710-0833	1	/P	Hex Bolt 5/16-18 x 51/4" Lg.
4	712-0267	1	S	Hex Nut 5/16-18 Thd.
5	736-0242	1	/P	Bell-Wash. .345" I.D. x .88
6	710-0286	1	/P	Truss-Mach. Scr. 1/4-20 x .50"
8	736-0270	1	/P	Bell-Wash. .265" I.D. x .75
10	749-0820	1		Speed Selector Brace
11	712-0138	1	S	Hex Nut 1/4-28 Thd.
12	17128	1	S	Spring Retainer Brkt.
14	710-0559	1		Hex Bolt 1/4-28 x 1.75" Lg.
15	15891C	1	S	Idler Bracket
16	16554A	1	S	Var. Speed Torque Brkt. Ass'y.
17	16676A	1	S	Variable Speed Brkt. Ass'y.
19	710-0118	1	S	Hex Bolt 5/16-18 x .75" Lg.
20	710-0151	1	/P	Hex Bolt 3/8-24 x 2.0" Lg. Gr. 5
22	710-0757	1	/P	Hex Bolt 7/16-20 x 1.5" Lg.
24	711-0768	1	S	Belt Guard Pin
25	712-0241	1	/P	Hex Nut 3/8-24 Thd.t
27	712-0287	1	S	Hex Nut 1/4-20 Thd.
29	712-0922	1	/P	Hex Jam Nut 1/2-20 Thd.
30	710-0902	1		Hex Bolt 3/8-24 x 3.75" Lg.
31	716-0114	1	S	Snap Ring
32	717-0800	1	S	Variable Speed Pulley Ass'y.
33	717-0775	1	S	Transaxle Complete
34	736-0607	1	/P	Ext. L-Wash. 5/16" I.D.
35	736-0258	1	/P	FI-Wash. 3/8" I.D. x 1.0" O.D.
36	732-0384	1	S	Extension Spring 6.12" Lg.
37	732-0459	1	S	Extension Spring 7.5" Lg.
38	732-0568	1	S	Extension Spring 2.59" Lg.
39	736-0117	1	S	FI-Wash. .385" I.D. x .620"
40	736-0119	1	S	L-Wash. 5/16" I.D.
41	736-0169	1	S	L-Wash. 3/8" I.D.
42	736-0171	1	S	L-Wash. 7/16" I.D.
43	736-0322	1	/P	FI-Wash. .450" I.D. x 1.25"
44	736-0329	1	S	L-Wash. 1/4" I.D.
45	736-0331	1	/P	Bell-Wash. .39" I.D. x 1.13"
46	736-0355	1	/P	FI-Wash. .56" I.D. x 1.0" O.D.
47	736-0414	1	S	Washer "Teflon" .565 I.D.
48	736-0253	1	S	Bell-Wash. 1/2" I.D. x 1.0" O.D.
49	738-0569	1	S	Shaft .56" Dia. x 3.875" Lg.
50	741-0405	1	S	Thrust Brg. 1.25 O.D.
51	741-0419	1		Flanged Nyliner Brg.
52	741-0495	1	/P	Nyliner Flanged Brg.
53	747-0599	1	S	Speed Control Rod
54	750-0703	1		Spacer
55	754-0280	1	S	V-Belt
56	754-0281	1	S	V-Belt
57	756-0559	1		1/2 V-Pulley .501" I.D. x 8.00"
58	756-0437	1	S	Idler Pulley 3-1/8" Dia.
59	756-0508	1		Dbl. Pulley 6.0" Dia. x 3 56n
60	732-0303	1	S	Extension Spring 3.18" Lg.
61	732-0413	1	S	Extension Spring 7.08" Lg.

131-317D190 L-8 (1991)
Drive Mounting Assembly

Page 10 of 18

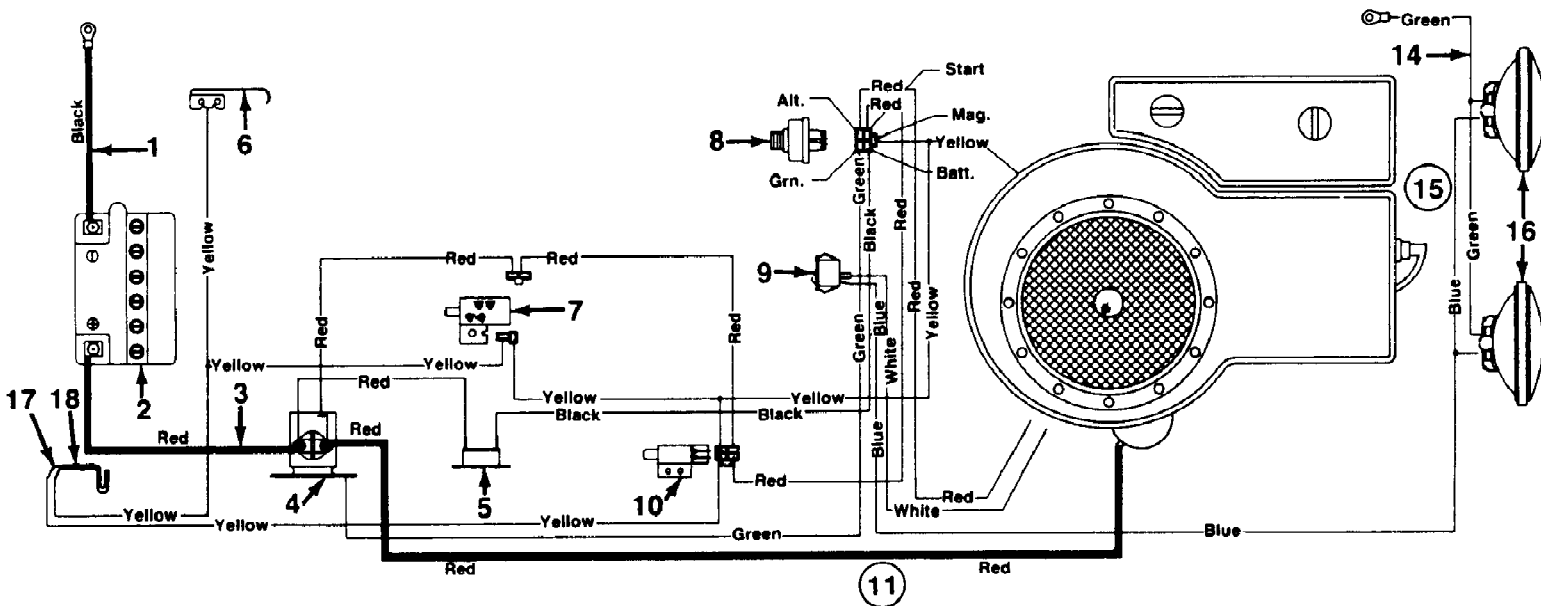
Ref #	Part Number	Qty	S/P/F	Description
62	748-0234	1	/P	Shld. Spacer .500" Dia.
63	734-0255	1	S	Air Valve
64	17588	1		Front Frame
65	17589	1	S	Rear Frame
66	16654	1	S	Transaxle Support Brkt.
67	16659	1	S	Transaxle Brkt. Reinforcement
68	710-0726	1	/P	Hex Wash. AB-Tap Scr. 5/16 x .75" Lg.
69	710-0258	1	S	Hex Bolt 1/4-20 x .62" Lg.
70	725-1426	1	S	Solenoid
71	725-0459	1	S	Circuit Breaker
73	710-0176	1	/P	Hex Bolt 5/16-18 x 2.75" Lg.
74	710-0351	1	/P	Truss Mach. B-Tap Scr. #10 x.50" Lg.
75	17594	1		Foot Pedal Rod Ass'y.
76	735-0239	1	/P	Foot Pad
77	710-1012	1	/P	Ribbed Neck Bolt 5/16-24 x .84"
80	711-0198	1	S	Ferrule
81	712-0271	1	/P	Hex Sems Nut 1/4-20 Thd.
82	714-0470	1	S	Cot-Pin 1/8" Dia. x 1.25" Lg.
83	714-0507	1	S	Cot-Pin 3/32" Dia. x .75" Lg.
85	714-0114	1	S	Sq. Key 1/4 x 2.0" Lg.
86	736-0256	1	S	FI-Wash. .635" I.D. x 1.0"
88	747-0593	1		Brake Rod
89	750-0800	1		Spacer 5/8" I.D. x 1.2" Lg.
90	725-0976A	1	/P	Ground Wire 7.25" Lg.
91	17457	1	S	Speed Selector Lever
92	16693A	1		5 Speed Selector Brkt.
93	738-0138	1	S	Shld. Bolt .437" Dia. x .47" Lg.
94	711-0677	1	S	Ferrule
95	710-0428	1		Hex Bolt 1/4-28 x 1.25" Lg.
96	714-0104	1	S	Intern. Cot-Pin 5/16" Dia.
97	750-0703	1		Spacer .375" I.D. x .625"
99	736-0264	1	S	FI-Wash. .344" I.D. x .62"
100	736-0463	1	S	FI-Wash. .25" I.D. x .62" O.D.
101	747-0675	1	S	Speed Control Rod
102	736-0101	1	S	FI-Wash. 3/8" I.D. x .1" O.D.
103	714-0115	1	S	Cot-Pin 1/8" Dia. x 1.0" Lg.
	736-0275	1	S	FI-Wash. .34" I.D. x .68"
105	736-0278	1		FI-Wash. .34" I.D.
106	710-0627	1	/P	Hex L-Bolt 5/16-24 x .75" Lg.
107	734-1424	1		Rear Wheel Ass'y. Comp.
108	734-1423	1		Turf Tread 16.0 x 7.50 Rear
109	734-1450	1		Rear Wheel Rim Ass'y.
110	736-0242	1	/P	Bell-Wash. .345" I.D. x .88"
111	712-0257	1		Conduit Lock Nut 3/4 x 14 NPT
112	751-0447	1		Muffler Deflector
113	712-0298	1	S	Hex Jam Nut 1/4-20 Thd.
114	17178A	1	/P	Shift Lever Adjusting Link
115	16482	1		Shift Lever Spring Brkt.
116	17597	1	S	Brake Rod Guide Brkt.
117	710-0289	1	S	Hex Bolt 1/4-20 x .50 Lg.
118	710-1066	1	S	Hex B-Tap Scr. #10 x .38" Lg.
119	714-0149B	1	S	Intern. Cotter Pin
120	725-3169			(Clutch)

131-317D190 L-8 (1991)
Drive Mounting Assembly

Page 11 of 18

Ref #	Part Number	Qty	S/P/F	Description
121	720-0232	1	S	Knob
122	726-0231	1	S	Retaining Ring
123	732-0499	1		Compression Spring 1.5" Lg.
124	710-0604	1	S	Hex Wash. Hd. Scr. 5/16-18 x 62n Lg
125	736-0226	1	S	FI-Wash. .469" I.D. x .88n
126	747-0694A	1	/P	Shift Rod Ass'y.
127	747-0685	1	S	Shift Rod
130	17179	1		Shift Lever Support
131	710-0227	1	/P	Hex Wash. Hd. #8 x .50" Lg.
132	726-0222	1	S	Insulator Nut Plate
133	725-0758	1	S	Spring Switch
134	710-0502A	1	/P	Hd. Tap Scr. 3/8-16 x 1.25"
135	710-0672	1	/P	Hex Bolt 5/16-24 x 1-1/4" Lg. Gr. 5
137	712-0123	1	/P	Hex Nut 5/16-24 Thd.
138		1		Engine
139	751-0157	1		Muffler
141	736-0141	1	S	Wave Wash. .445" I.D.
142	710-0894	1	S	TT-Tap Scr. #8-32 x .4" Lg.
143	741-0404	2	S	Needle Brg.

131-317D190 L-8 (1991)
Electrical System

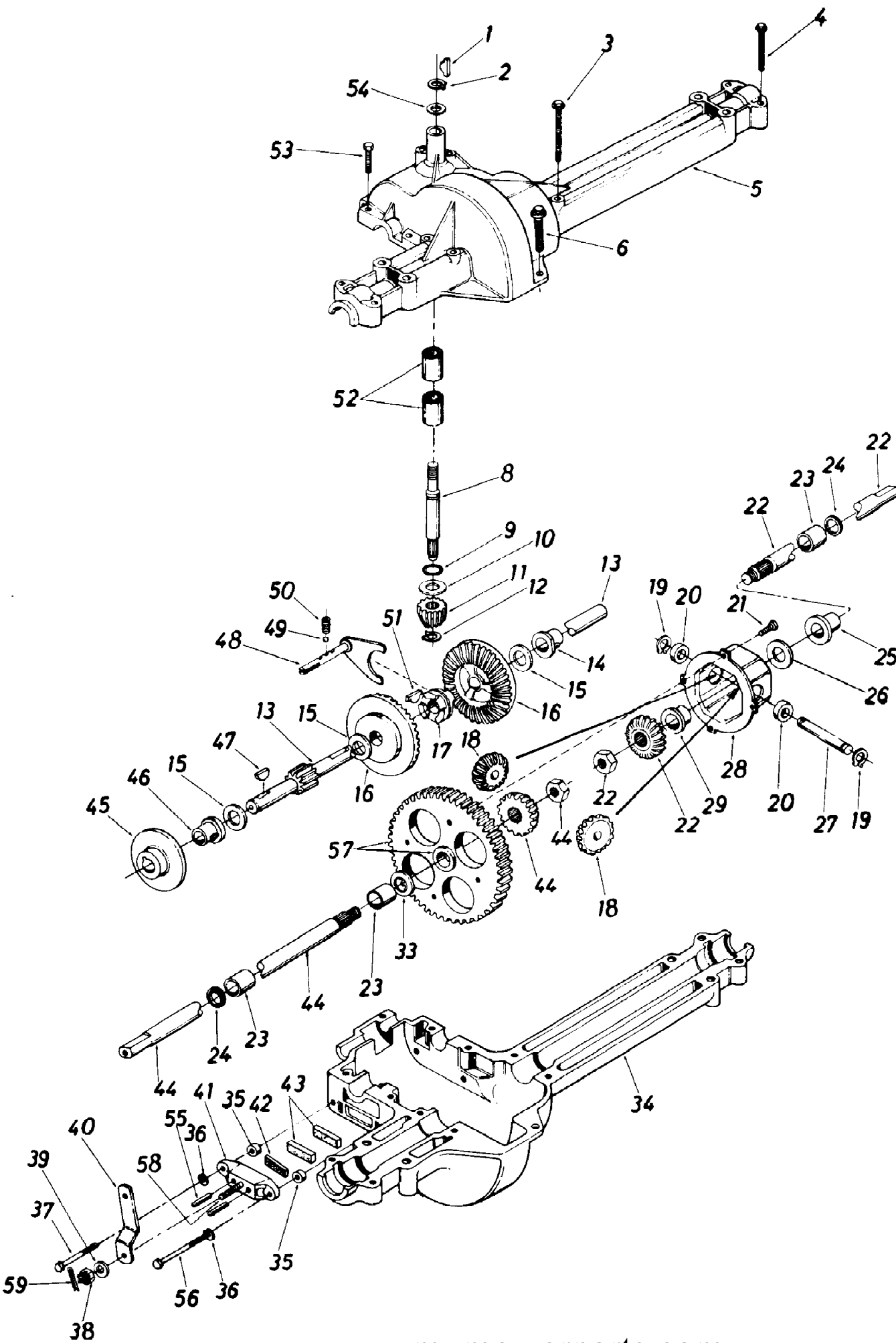


131-317D190 L-8 (1991)
Electrical System

Page 13 of 18

Ref #	Part Number	Qty	S/P/F	Description
1	725-0976A	1	/P	Ground Wire
2	725-0514A	1	S	Battery
3	725-0926	1	/P	Electric Wire-8.0" Lg.
4	725-1426	1	S	Solenoid
5	725-0459	1	S	Circuit Breaker
6	732-0758	1	S	Spring Switch (Reverse)
7	725-0803B	1	/P	Safety Switch (Deck)
8	725-0267	1	S	Ignition Switch
9	725-0634	1	S	Light Switch
10	725-3169	1	S	Safety Switch (Clutch)
11	725-1475	1		Harness
14	725-0916A	1	/P	Ground Wire
15	725-1477	1		Headlight Harness
16	725-0222	1	S	Headlight
17	725-1303	1	S	Safety Switch (Seat)
18	725-1439	1		Safety Switch (Seat)

131-317D190 L-8 (1991)
Single Speed Transaxle Left Hand



131-317D190 L-8 (1991)
Single Speed Transaxle Left Hand

Page 15 of 18

Ref #	Part Number	Qty	S/P/F	Description
1	714-0129	1	S	#4 Hi-Pro Key 3/32 x 518" Dia.
2	716-0115	1	S	Snap Ring .625" Shaft
3	710-1026	1	/P	Hex Wash. TT-Tap Scr. 1/4-20 x 1.75" Lg .
4	710-0378	1	/P	Hex Bolt 5/16-18 x 2.5"
5	717-0764A	1	S	Upper Housing
6	710-0889	1		Hex FI-Bolt 1/4-20 x .88" Lg.
	712-0287	1	S	Hex Nut 1/4-20 Thd.
8	717-0634A	1	/P	Input Shaft
9	721-0178	1	S	Square Seal 5/8" I.D.
10	736-0335	1	S	Thrust Washer 5/8" I.D. x 1.25" O.D.
11	717-0633	1	S	Pinion Input 14T
12	716-0108	1	S	Retaining Ring 7/16" Ext.
13	717-0768	1		Drive Shaft
14	741-0336	1	S	Flange Brg. 5/8" I.D. x 3/4"
15	736-0349	1	S	FI-Wash. 5/8" I.D. x 1.0" O.D. x .020" Thk.
	736-0336	1	S	FI-Wash. 5/8" I.D. x 1.0" O.D. x .030" Thk.
	736-0337	1	S	FI-Wash. 5/8" I.D. x 1.0" O.D. x .040" Thk.
16	717-0757	1		Bevel Gear 42T
17	717-0667	1	S	Clutch Collar
18	717-1020	1	/P	Miter Gear 15T (H.D.)
19	716-0184	1	S	Retainer Ring
20	717-0589	1		Thrust Bearing
21	710-0862A	1	/P	Pan Head Scr. 1/4-20 x .50" Lg. w/Patch
22	717-0766	1	S	Axle R.H. Ass'y.-Kit
23	741-0340	1	S	Sleeve Bearing 3/4" I.D. x 1.0" Lg.
24	721-0179	1	S	Oil Seal 3/4" I.D.
25	741-0339	1	S	Flange Bearing 3/4" I.D. x 15/16" Lg.
26	736-0351	1	S	FI-Wash. .760" I.D. x 1.5" O.D.
27	717-0918	1		Cross Shaft
28	717-0777	1	S	Differential Housing Ass'y.
29		1		Part of Ref. 28
33	736-0351	1	S	FI-Wash. .760" I.D. x 1.5" O.D.
34	717-0761A	1	S	Lower Housing
35	750-0555	1		Spacer .53" O.D. x 3/8" Lg.
36	736-0329	1	S	L-Wash. 1/4" I.D.
37	710-0886	1	S	Hex Bolt 1/4-20 x 1.50" Lg. (Grade 5)
38	712-0335	1	S	Castle Nut 5/16-24 Thd.
39	736-0159	1	S	FI-Wash. .344" I.D. x 875" O.D.
40	717-0772	1	S	Actuating Arm
41	717-0679	1		Brake Yoke
42	717-0682	1	S	Puck Plate
43	717-0678	1	S	Brake Puck
44	717-0765	1	S	Axle L.H. Ass'y.-Kit
45	717-0677	1	/P	Brake Disc
46	741-0337	1	S	Flange Bearing 5/8n I.D. x 15/16" Lg.
47	714-0161	1	S	Woodruff Key 3/16 x 5/8 HT
48	717-0754	1	S	ShiR Fork Ass'y.
49	741-0862	1	/P	Ball Detent .250" Dia.
50	732-0863	1	S	Spring Detent
51	714-0169	1	S	#9 Hi-Pro Key 3/16" x 3/4" Dia. HT
52	741-0335	1	S	Needle Brg. 5/8" I.D. x 1/2"
53	710-0788	1	/P	Hex Wash. TT-Tap Scr. 1/4-20 x 1.00" Lg.
54	736-0336			I.D. x .030

131-317D190 L-8 (1991)
Single Speed Transaxle Left Hand

Page 16 of 18

Ref #	Part Number	Qty	S/P/F	Description
55	741-0343	1	S	Actuating Pin 5/16n Dia.
56	710-0966	1		Hex Bolt 1/4-20 x 2.50" Lg. (Grade 5)
57	717-0767	1	S	Differential Gear 72T Ass'y. w/Bearing
58	717-0681	1	S	Sq. Hd. Bolt 5/16-24 Thd.
59	714-0111	1	S	Cotter Pin 3/32n Dia. x In Lg.
	737-0148	1	S	Grease-Shell (10 oz.)

131-317D190 L-8 (1991)
Steering Assembly

Page 18 of 18

Ref #	Part Number	Qty	S/P/F	Description
1	17584	1	/P	Front Axle Ass'y.-R.H.
2	17585	1	/P	Front Axle Ass'y.-L.H.
3	16481	1	S	Steering Arm
4	710-0152	1	S	Hex Bolt 3/8-24 x 1" Lg.*
5	710-0538	1	/P	Hex Bolt 5/16-18 x .62" (Spec.)
6	710-0772	1	/P	Hex Bolt 5/16-24 x 2" Lg.
7	711-0723	1	S	Ferrule
8	711-0809	1		Steering Drag Link
9	712-0237	1	S	Hex L-Nut 5/16-24 Thd.
10	712-0241	1	/P	Hex Nut 3/8-24 Thd.
11	712-0267	1	S	Hex Nut 5/16-18 Thd.
12	712-0711	1	/P	Hex Jam Nut, 3/8-24
13	714-0470	1	S	Cotter Pin 1/8 Dia.
14	717-0622A	1	S	Steering Gear Segment
15	723-3018	1	S	Drag Link Ball Joint 3/8-24 Thd.
16	726-0214	1	/P	Push Cap
17	736-0119	1	S	L-Wash. 5/16" I.D.
18	736-0169	1	S	L-Wash. 3/8" I.D.
19	736-0187	1	/P	FI-Wash. .64" I.D. x 1.24"
20	736-0343	1	/P	FI-Wash. .340" I.D. x 1.125"
22	736-0271	1	S	Spr. Wash. .32 I.D. x .62
23	736-0285	1	/P	FI-Wash. .635 I.D. x 1.585
24	17198	1	S	Retainer Plate
25	738-0141	1	S	Shld. Bolt .437 Dia. x .350
26	738-0730	1		Steering Shaft
27	741-0225	1	S	Hex Flange Brg. .634 Dia.
28	747-0759	1		Tie Rod 19.1 Lg.
29	750-0532	1	S	Spacer .985 I.D.
30	750-0535	1	S	Spacer .380 I.D.
31	16657	1		Front Pivot Bar Support Brkt.
32	16658	1		Rear Pivot Bar Support Brkt.
33	17127	1		Pivot Bar Ass'y.
34	710-0118	1	S	Hex Bolt 5/16-18 x .75" Lg.
35	734-1422	1		Front Wheel Ass'y. Comp. 1 3 x 6
	734-1421	1		Tire Only
36	734-0997A	1	S	Wheel Rim Ass'y. Only
	737-0146	1	S	Grease Fitting
37	734-0255	1	S	Air Valve
38	741-0487	1	S	Flange Bearing .632 I.D.
40	714-0111	1	S	Cotter Pin 3/32" Dia.
41	736-0185	1	S	FI-Wash. .406" I.D. x .75"
42	712-0237	1	S	Hex L-Nut 5/16-24 Thd.
43	741-0501	1	S	Steering Column Brg.
44	710-0837	1		Cr-Sunk Scr. #10 x 5/8" Lg.
45	731-0805	1	S	Steering Wheel
46	731-0220	1	S	Steering Wheel Cap
47	731-0484A	1	S	Hub Cap
48	731-0559	1	S	Bellow Steering Column
49	736-0242	1	/P	Bell-Wash. .345 I.D. x .88
50	712-0798	1	/P	Hex Nut 3/8-16 Thd.
51	738-0728	1		Shld. Bolt 1/2" Dia. x 2.32"
52	736-0356	1	S	Bell-Wash. .39" I.D. x 1.4" O.D.